

## Pomelli zigrinati con vite- Plastica

### EH 24830.

#### Descrizione prodotto



#### Materiale

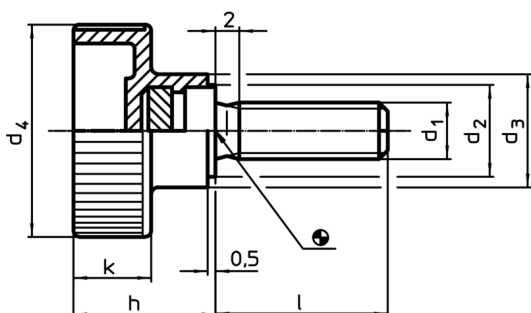
##### Impugnatura

- Plastica PA, nero

##### Vite



- Acciaio, zincato
- Acciaio inox 1.4567

#### Disegno



#### Caratteristiche

Dimensioni							 min.   max. [°C]		 [g]	Cod.
d <sub>1</sub>	l	d <sub>2</sub>	d <sub>3</sub>	d <sub>4</sub>	h	k	min.	max.		
[mm]										
<b>Acciaio</b>										
M 4	10	9	12	19	14,0	8,0	-30	80	4,0	<a href="#">24830.0030</a>
M 4	15	9	12	19	14,0	8,0	-30	80	4,0	<a href="#">24830.0032</a>
M 4	20	9	12	19	14,0	8,0	-30	80	4,2	<a href="#">24830.0034</a>
M 4	30	9	12	19	14,0	8,0	-30	80	7,0	<a href="#">24830.0036</a>
M 5	10	9	12	19	14,0	8,0	-30	80	4,3	<a href="#">24830.0042</a>
M 5	15	9	12	19	14,0	8,0	-30	80	5,0	<a href="#">24830.0043</a>
M 5	20	9	12	19	14,0	8,0	-30	80	5,5	<a href="#">24830.0045</a>
M 5	25	9	12	19	14,0	8,0	-30	80	6,0	<a href="#">24830.0046</a>
M 6	10	12	14	24	16,5	9,5	-30	80	7,0	<a href="#">24830.0050</a>
M 6	16	12	14	24	16,5	9,5	-30	80	8,0	<a href="#">24830.0053</a>
M 6	20	12	14	24	16,5	9,5	-30	80	9,0	<a href="#">24830.0054</a>
M 6	25	12	14	24	16,5	9,5	-30	80	9,0	<a href="#">24830.0055</a>
M 6	30	12	14	24	16,5	9,5	-30	80	10,0	<a href="#">24830.0057</a>
M 8	16	14	16	30	19,5	11,0	-30	80	14,0	<a href="#">24830.0060</a>
M 8	20	14	16	30	19,5	11,0	-30	80	16,0	<a href="#">24830.0062</a>
M 8	25	14	16	30	19,5	11,0	-30	80	17,0	<a href="#">24830.0064</a>
M 8	30	14	16	30	19,5	11,0	-30	80	19,0	<a href="#">24830.0065</a>
M 8	40	14	16	30	19,5	11,0	-30	80	20,0	<a href="#">24830.0067</a>
M10	20	16	18	36	22,5	12,5	-30	80	30,0	<a href="#">24830.0070</a>
M10	25	16	18	36	22,5	12,5	-30	80	31,0	<a href="#">24830.0072</a>
M10	30	16	18	36	22,5	12,5	-30	80	33,0	<a href="#">24830.0074</a>
M10	40	16	18	36	22,5	12,5	-30	80	38,0	<a href="#">24830.0076</a>
<b>Acciaio inox</b>										
M 5	10	9	12	19	14,0	8,0	-30	80	4,3	<a href="#">24830.0242</a>
M 5	15	9	12	19	14,0	8,0	-30	80	5,0	<a href="#">24830.0243</a>
M 5	20	9	12	19	14,0	8,0	-30	80	5,5	<a href="#">24830.0245</a>
M 5	25	9	12	19	14,0	8,0	-30	80	6,0	<a href="#">24830.0246</a>

d <sub>1</sub>	l	Dimensioni					h	k	 min.   max. [°C]		 [g]	Cod.
		d <sub>2</sub>	d <sub>3</sub>	d <sub>4</sub>	[mm]							
M 6	10	12	14	24	16,5	9,5	-30	80	7,0	<a href="#">24830.0250</a>		
M 6	16	12	14	24	16,5	9,5	-30	80	8,0	<a href="#">24830.0253</a>		
M 6	20	12	14	24	16,5	9,5	-30	80	9,0	<a href="#">24830.0254</a>		
M 6	25	12	14	24	16,5	9,5	-30	80	9,0	<a href="#">24830.0255</a>		
M 6	30	12	14	24	16,5	9,5	-30	80	10,0	<a href="#">24830.0257</a>		
M 8	20	14	16	30	19,5	11,0	-30	80	16,0	<a href="#">24830.0262</a>		
M 8	25	14	16	30	19,5	11,0	-30	80	17,0	<a href="#">24830.0264</a>		
M 8	30	14	16	30	19,5	11,0	-30	80	19,0	<a href="#">24830.0265</a>		
M 8	40	14	16	30	19,5	11,0	-30	80	20,0	<a href="#">24830.0267</a>		
M10	20	16	18	36	22,5	12,5	-30	80	30,0	<a href="#">24830.0270</a>		
M10	25	16	18	36	22,5	12,5	-30	80	31,0	<a href="#">24830.0272</a>		
M10	30	16	18	36	22,5	12,5	-30	80	33,0	<a href="#">24830.0274</a>		
M10	45	16	18	36	22,5	12,5	-30	80	43,0	<a href="#">24830.0278</a>		
M10	55	16	18	36	22,5	12,5	-30	80	48,0	<a href="#">24830.0280</a>		

### Esempio di applicazione

