

## Pomelli a stella· Plastica

EH 24750.

### Descrizione prodotto



#### Materiale

##### Coperchio

- Plastica PA, nero simile a RAL 9005
- Plastica PA, bianco simile a RAL 9019
- Plastica PA, arancio simile a RAL 2004
- Plastica PA, giallo simile a RAL 1016
- Plastica PA, azzurro simile a RAL 5015

##### Impugnatura

- Plastica PA 6, nero simile a RAL 9005

##### Bussola filettata

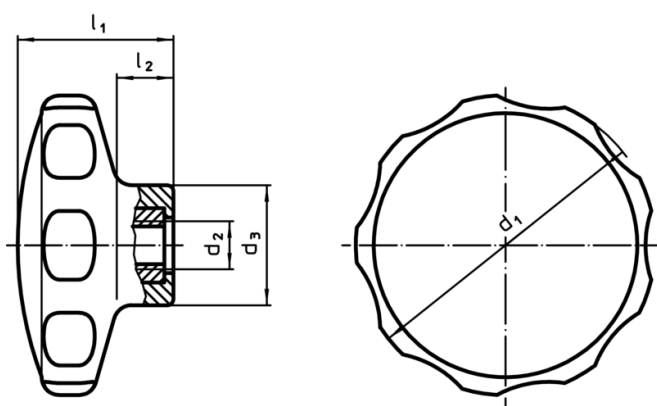
- Acciaio inox

### Maggiori informazioni

#### Note

Esecuzioni speciali con altri fori a richiesta

### Disegno



### Caratteristiche

		Dimensioni			min.  max.			Cod.
d <sub>1</sub>	d <sub>2</sub>	d <sub>3</sub> [mm]	l <sub>1</sub>	l <sub>2</sub>	[°C]		[g]	
<b>nero</b>								
30	M 4	14,0	19	7	-30	80	5,3	<a href="#">24750.0030</a>
30	M 5	14,0	19	7	-30	80	5,7	<a href="#">24750.0035</a>
40	M 5	16,5	22	9	-30	80	8,2	<a href="#">24750.0040</a>
40	M 6	16,5	22	9	-30	80	9,5	<a href="#">24750.0045</a>
50	M 6	22,0	26	10	-30	80	16,0	<a href="#">24750.0050</a>
50	M 8	22,0	26	10	-30	80	19,0	<a href="#">24750.0055</a>
62	M 8	22,0	35	13	-30	80	19,0	<a href="#">24750.0060</a>
62	M10	22,0	35	13	-30	80	39,0	<a href="#">24750.0065</a>
<b>bianco</b>								
30	M 4	14,0	19	7	-30	80	5,3	<a href="#">24750.0031</a>
30	M 5	14,0	19	7	-30	80	5,7	<a href="#">24750.0036</a>
40	M 5	16,5	22	9	-30	80	8,2	<a href="#">24750.0041</a>
40	M 6	16,5	22	9	-30	80	9,5	<a href="#">24750.0046</a>
50	M 6	22,0	26	10	-30	80	16,0	<a href="#">24750.0051</a>
50	M 8	22,0	26	10	-30	80	19,0	<a href="#">24750.0056</a>
62	M 8	22,0	35	13	-30	80	19,0	<a href="#">24750.0061</a>
62	M10	22,0	35	13	-30	80	39,0	<a href="#">24750.0066</a>
<b>arancio</b>								
30	M 4	14,0	19	7	-30	80	5,3	<a href="#">24750.0032</a>
30	M 5	14,0	19	7	-30	80	5,7	<a href="#">24750.0037</a>
40	M 5	16,5	22	9	-30	80	8,2	<a href="#">24750.0042</a>
40	M 6	16,5	22	9	-30	80	9,5	<a href="#">24750.0047</a>

d <sub>1</sub>	d <sub>2</sub>	Dimensioni			min.	max.	[g]	Cod.
		d <sub>3</sub> [mm]	l <sub>1</sub>	l <sub>2</sub>				
50	M 6	22,0	26	10	-30	80	16,0	<a href="#">24750.0052</a>
50	M 8	22,0	26	10	-30	80	19,0	<a href="#">24750.0057</a>
62	M 8	22,0	35	13	-30	80	19,0	<a href="#">24750.0062</a>
62	M10	22,0	35	13	-30	80	39,0	<a href="#">24750.0067</a>
<b>giallo</b>								
30	M 4	14,0	19	7	-30	80	5,3	<a href="#">24750.0033</a>
30	M 5	14,0	19	7	-30	80	5,7	<a href="#">24750.0038</a>
40	M 5	16,5	22	9	-30	80	8,2	<a href="#">24750.0043</a>
40	M 6	16,5	22	9	-30	80	9,5	<a href="#">24750.0048</a>
50	M 6	22,0	26	10	-30	80	16,0	<a href="#">24750.0053</a>
50	M 8	22,0	26	10	-30	80	19,0	<a href="#">24750.0058</a>
62	M 8	22,0	35	13	-30	80	19,0	<a href="#">24750.0063</a>
62	M10	22,0	35	13	-30	80	39,0	<a href="#">24750.0068</a>
<b>blu</b>								
30	M 4	14,0	19	7	-30	80	5,3	<a href="#">24750.0034</a>
30	M 5	14,0	19	7	-30	80	5,7	<a href="#">24750.0039</a>
40	M 5	16,5	22	9	-30	80	8,2	<a href="#">24750.0044</a>
40	M 6	16,5	22	9	-30	80	9,5	<a href="#">24750.0049</a>
50	M 6	22,0	26	10	-30	80	16,0	<a href="#">24750.0054</a>
50	M 8	22,0	26	10	-30	80	19,0	<a href="#">24750.0059</a>
62	M 8	22,0	35	13	-30	80	19,0	<a href="#">24750.0064</a>
62	M10	22,0	35	13	-30	80	39,0	<a href="#">24750.0069</a>