

## Pomelli a stella• DIN 6336 in acciaio inox pressofuso EH 24661.

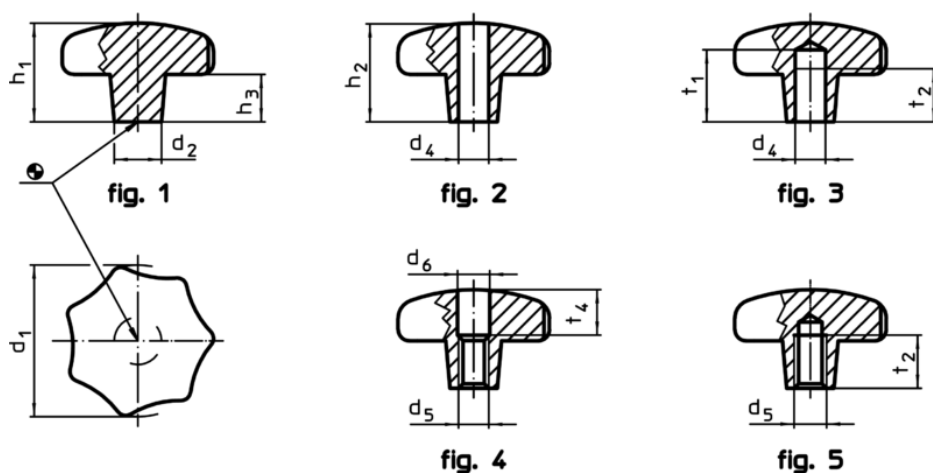
### Descrizione prodotto



#### Materiale

- Impugnatura  
• Acciaio inox A2, sabbiato opaco

### Disegno



### Caratteristiche

d <sub>1</sub>	d <sub>2</sub>	d <sub>5</sub>	Dimensioni						[g]	Cod.	
			d <sub>6</sub>	h <sub>1</sub>	h <sub>2</sub>	h <sub>3</sub>	t <sub>2</sub>	t <sub>4</sub>			
[mm]											
<b>Non lavorato, forma A – Fig. 1</b>											
32	12	–	–	21	–	10	–	–	–	56	<a href="#">24661.0032</a>
40	14	–	–	26	–	13	–	–	–	85	<a href="#">24661.0040</a>
50	18	–	–	34	–	17	–	–	–	181	<a href="#">24661.0050</a>
63	20	–	–	42	–	21	–	–	–	319	<a href="#">24661.0063</a>
<b>Con foro filettato passante, forma D – Fig. 4</b>											
32	12	M 6	6,4	–	20	–	–	–	10	52	<a href="#">24661.0332</a>
40	14	M 8	8,4	–	25	–	–	–	12	75	<a href="#">24661.0340</a>
50	18	M10	10,5	–	32	–	–	–	16	158	<a href="#">24661.0350</a>
63	20	M12	13,0	–	40	–	–	–	20	279	<a href="#">24661.0363</a>
<b>Con foro filettato cieco, forma E – Fig. 5</b>											
32	12	M 6	–	–	20	–	–	12	–	53	<a href="#">24661.0432</a>
40	14	M 8	–	–	25	–	–	15	–	77	<a href="#">24661.0440</a>
50	18	M10	–	–	32	–	–	18	–	165	<a href="#">24661.0450</a>
63	20	M12	–	–	40	–	–	22	–	296	<a href="#">24661.0463</a>