

Pomelli a stella• DIN 6336 Alluminio
EH 24660.

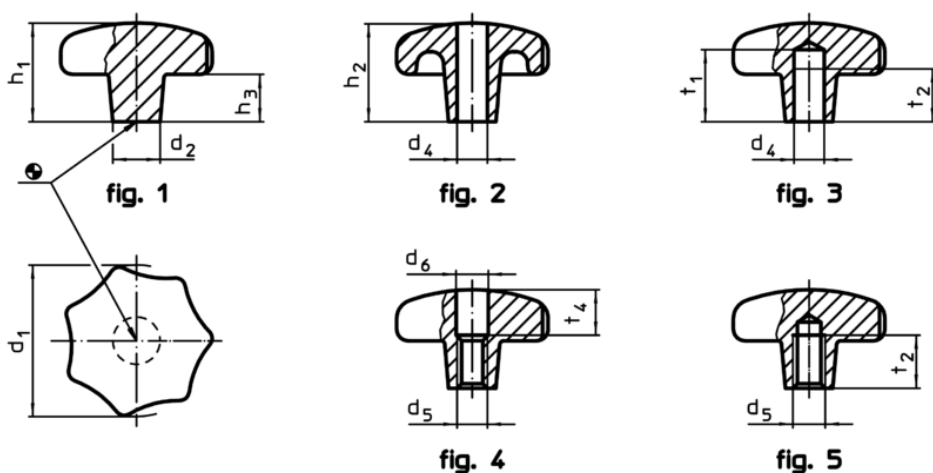
Descrizione prodotto



Materiale


- Impugnatura
- Alluminio (AL), sabbatiato
 - Alluminio (AL), lucidato

Disegno



Caratteristiche

d ₁	d ₂	d ₄ H7	d ₅	d ₆	Dimensioni						[g]	Cod.	
					h ₁	h ₂	h ₃	t ₁	t ₂	t ₄			
[mm]													
Non lavorato, forma A – Fig. 1, sabbatiati													
40	14	–	–	–	26	–	13	–	–	–	–	36	24660.0040
50	18	–	–	–	34	–	17	–	–	–	–	70	24660.0050
63	20	–	–	–	42	–	21	–	–	–	–	128	24660.0063
80	25	–	–	–	52	–	25	–	–	–	–	245	24660.0080
Con foro liscio cieco, forma C – Fig. 3, sabbatiati													
40	14	8	–	–	–	25	–	18	15	–	–	30	24660.0240
50	18	10	–	–	–	32	–	21	18	–	–	63	24660.0250
63	20	12	–	–	–	40	–	25	22	–	–	117	24660.0263
80	25	16	–	–	–	50	–	32	28	–	–	223	24660.0280
Con foro filettato passante, forma D – Fig. 4, sabbatiati													
40	14	–	M 8	8,4	–	25	–	–	–	–	12	32	24660.0340
50	18	–	M10	10,5	–	32	–	–	–	–	16	62	24660.0350
63	20	–	M12	13,0	–	40	–	–	–	–	20	109	24660.0363
80	25	–	M16	17,0	–	50	–	–	–	–	30	218	24660.0380
Con foro filettato cieco, forma E – Fig. 5, sabbatiati													
40	14	–	M 8	–	–	25	–	–	15	–	–	33	24660.0440
50	18	–	M10	–	–	32	–	–	18	–	–	63	24660.0450
63	20	–	M12	–	–	40	–	–	22	–	–	118	24660.0463
80	25	–	M16	–	–	50	–	–	28	–	–	227	24660.0480

d ₁	d ₂	d ₄ H7	d ₅	Dimensioni								Cod.	
				d ₆	h ₁	h ₂	h ₃	t ₁	t ₂	t ₄			
[mm]												[g]	
Con foro liscio cieco, forma C – Fig. 3, lucidati													
40	14	8	–	–	–	25	–	18	15	–	30	24660.0640	
50	18	10	–	–	–	32	–	21	18	–	63	24660.0650	
63	20	12	–	–	–	40	–	25	22	–	117	24660.0663	
80	25	16	–	–	–	50	–	32	28	–	223	24660.0680	
Con foro filettato passante, forma D – Fig. 4, lucidati													
40	14	–	M 8	8,4	–	25	–	–	–	12	32	24660.0740	
50	18	–	M10	10,5	–	32	–	–	–	16	62	24660.0750	
63	20	–	M12	13,0	–	40	–	–	–	20	109	24660.0763	
80	25	–	M16	17,0	–	50	–	–	–	30	218	24660.0780	
Con foro filettato cieco, forma E – Fig. 5, lucidati													
40	14	–	M 8	–	–	25	–	–	15	–	33	24660.0840	
50	18	–	M10	–	–	32	–	–	18	–	63	24660.0850	
63	20	–	M12	–	–	40	–	–	22	–	118	24660.0863	
80	25	–	M16	–	–	50	–	–	28	–	227	24660.0880	