

Pomelli a stella• DIN 6336 Ghisa
EH 24650.

Descrizione prodotto

Burrattati o sabbati.

Materiale

Impugnatura
• Ghisa grigia GG 20, lucida

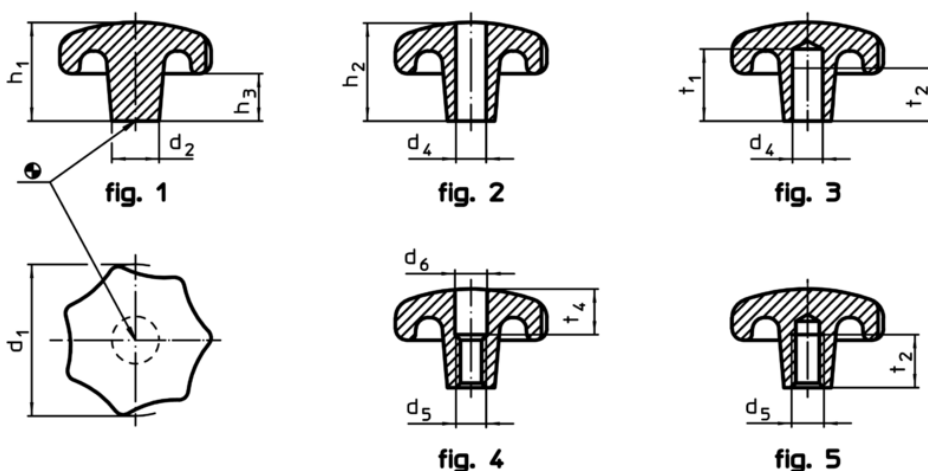
Maggiori informazioni

Note

E' possibile approntare versioni con fori diversi o con finiture particolari.




Disegno



Caratteristiche

d ₁	d ₂	d ₄ H7	d ₅	d ₆	Dimensioni						[g]	Cod.	
					h ₁	h ₂	h ₃	t ₁	t ₂	t ₄			
[mm]													
Non lavorato, forma A – Fig. 1													
32	12	–	–	–	21	–	10	–	–	–	–	55	24650.0032
40	14	–	–	–	26	–	13	–	–	–	–	82	24650.0040
50	18	–	–	–	34	–	17	–	–	–	–	150	24650.0050
63	20	–	–	–	42	–	21	–	–	–	–	260	24650.0063
80	25	–	–	–	52	–	25	–	–	–	–	510	24650.0080
Con foro liscio passante, forma B – Fig. 2													
32	12	6	–	–	–	20	–	–	–	–	–	49	24650.0132
40	14	8	–	–	–	25	–	–	–	–	–	72	24650.0140
50	18	10	–	–	–	32	–	–	–	–	–	130	24650.0150
63	20	12	–	–	–	40	–	–	–	–	–	220	24650.0163
80	25	16	–	–	–	50	–	–	–	–	–	440	24650.0180
Con foro liscio cieco, forma C – Fig. 3													
32	12	6	–	–	–	20	–	15	12	–	–	50	24650.0232
40	14	8	–	–	–	25	–	18	15	–	–	74	24650.0240
50	18	10	–	–	–	32	–	21	18	–	–	135	24650.0250
63	20	12	–	–	–	40	–	25	22	–	–	235	24650.0263
80	25	16	–	–	–	50	–	32	28	–	–	460	24650.0280

d ₁	d ₂	d ₄ H7	d ₅	Dimensioni								Cod.	
				d ₆	h ₁	h ₂	h ₃	t ₁	t ₂	t ₄			
												[g]	
Con foro filettato passante, forma D – Fig. 4													
32	12	–	M 6	6,4	–	20	–	–	–	–	10	49	24650.0332
40	14	–	M 8	8,4	–	25	–	–	–	–	12	72	24650.0340
50	18	–	M10	10,5	–	32	–	–	–	–	16	127	24650.0350
63	20	–	M12	13,0	–	40	–	–	–	–	20	220	24650.0363
80	25	–	M16	17,0	–	50	–	–	–	–	30	545	24650.0380
Con foro filettato cieco, forma E – Fig. 5													
32	12	–	M 6	–	–	20	–	–	–	12	–	50	24650.0432
40	14	–	M 8	–	–	25	–	–	–	15	–	74	24650.0440
50	18	–	M10	–	–	32	–	–	–	18	–	135	24650.0450
63	20	–	M12	–	–	40	–	–	–	22	–	235	24650.0463
80	25	–	M16	–	–	50	–	–	–	28	–	460	24650.0480