

Pomelli a croce• DIN 6335 Ghisa  
EH 24620.

Descrizione prodotto

Burrattati o sabbiati.

Materiale

Impugnatura  
• Ghisa grigia GG 20, lucida

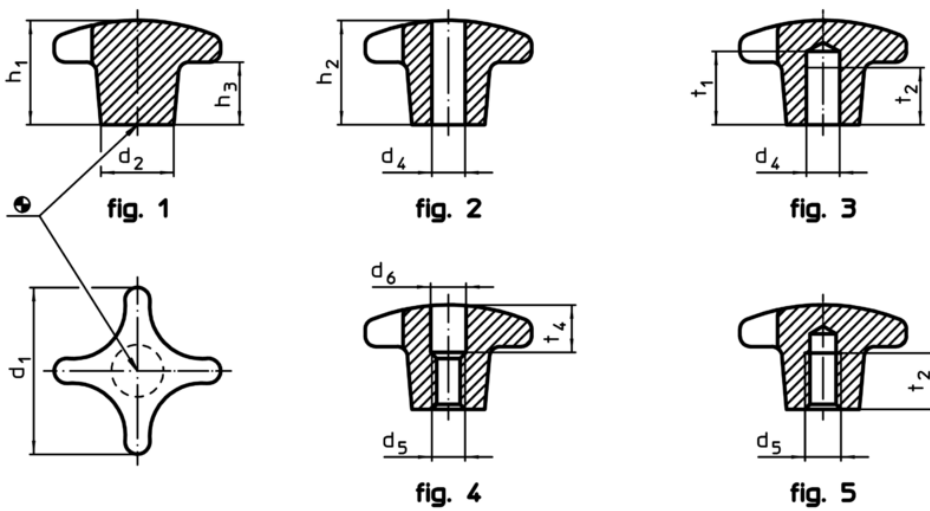
Maggiori informazioni

Note

E' possibile approntare versioni con fori diversi o con finiture particolari.




Disegno



Caratteristiche

d <sub>1</sub>	d <sub>2</sub>	d <sub>4</sub> H7	d <sub>5</sub>	Dimensioni							[g]	Cod.	
				d <sub>6</sub>	h <sub>1</sub>	h <sub>2</sub>	h <sub>3</sub>	t <sub>1</sub>	t <sub>2</sub>	t <sub>4</sub>			
[mm]													
<b>Non lavorato, forma A – Fig. 1</b>													
32	12	-	-	-	21	-	10	-	-	-	38	24620.0032	
40	14	-	-	-	26	-	14	-	-	-	69	24620.0040	
50	18	-	-	-	34	-	20	-	-	-	115	24620.0050	
63	20	-	-	-	42	-	25	-	-	-	228	24620.0063	
80	25	-	-	-	52	-	30	-	-	-	415	24620.0080	
100	32	-	-	-	65	-	38	-	-	-	855	24620.0090	
<b>Con foro liscio passante, forma B – Fig. 2</b>													
32	12	6	-	-	-	20	-	-	-	-	34	24620.0132	
40	14	8	-	-	-	25	-	-	-	-	59	24620.0140	
50	18	10	-	-	-	32	-	-	-	-	95	24620.0150	
63	20	12	-	-	-	40	-	-	-	-	171	24620.0163	
80	25	16	-	-	-	50	-	-	-	-	338	24620.0180	
100	32	20	-	-	-	63	-	-	-	-	709	24620.0190	

d <sub>1</sub>	d <sub>2</sub>	d <sub>4</sub> H7	d <sub>5</sub>	Dimensioni								Cod.
				d <sub>6</sub>	h <sub>1</sub>	h <sub>2</sub>	h <sub>3</sub>	t <sub>1</sub>	t <sub>2</sub>	t <sub>4</sub>		
[mm]												
<b>Con foro liscio cieco, forma C – Fig. 3</b>												
32	12	6	–	–	–	20	–	15	12	–	36	<a href="#">24620.0232</a>
40	14	8	–	–	–	25	–	18	15	–	61	<a href="#">24620.0240</a>
50	18	10	–	–	–	32	–	21	18	–	99	<a href="#">24620.0250</a>
63	20	12	–	–	–	40	–	25	22	–	200	<a href="#">24620.0263</a>
80	25	16	–	–	–	50	–	32	28	–	380	<a href="#">24620.0280</a>
100	32	20	–	–	–	63	–	40	36	–	706	<a href="#">24620.0290</a>
<b>Con foro filettato passante, forma D – Fig. 4</b>												
32	12	–	M 6	6,4	–	20	–	–	–	10	34	<a href="#">24620.0332</a>
40	14	–	M 8	8,4	–	25	–	–	–	12	60	<a href="#">24620.0340</a>
50	18	–	M10	10,5	–	32	–	–	–	16	95	<a href="#">24620.0350</a>
63	20	–	M12	13,0	–	40	–	–	–	20	191	<a href="#">24620.0363</a>
80	25	–	M16	17,0	–	50	–	–	–	30	339	<a href="#">24620.0380</a>
100	32	–	M20	21,0	–	63	–	–	–	38	704	<a href="#">24620.0390</a>
<b>Con foro filettato cieco, forma E – Fig. 5</b>												
32	12	–	M 6	–	–	20	–	–	12	–	35	<a href="#">24620.0432</a>
40	14	–	M 8	–	–	25	–	–	15	–	63	<a href="#">24620.0440</a>
50	18	–	M10	–	–	32	–	–	18	–	103	<a href="#">24620.0450</a>
63	20	–	M12	–	–	40	–	–	22	–	205	<a href="#">24620.0463</a>
80	25	–	M16	–	–	50	–	–	28	–	359	<a href="#">24620.0480</a>
100	32	–	M20	–	–	63	–	–	36	–	730	<a href="#">24620.0490</a>