

Impugnature a ripresa con foro filettato

EH 24400.

Descrizione prodotto



Materiale

Leva

- Zinco pressofuso, plastificato, arancio, simile a RAL 2004, finitura opaca
- Zinco pressofuso, plastificato argento opaco, simile a RAL 9006
- Zinco pressofuso, plastificato nero opaco, simile a RAL 9005

Perno filettato

- Acciaio, brunito, classe 5

Mozzo

- Acciaio, brunito, classe 5.8

Funzionamento

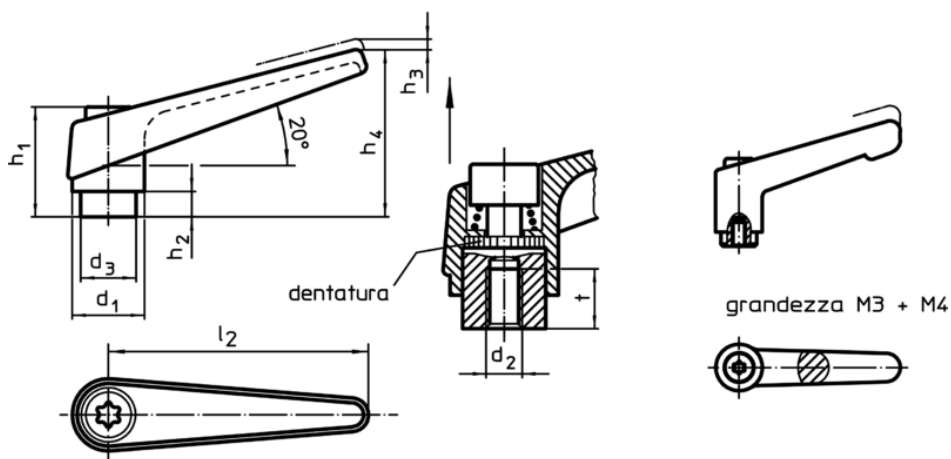
Tirando la leva si disinnesta la dentatura, permettendo di orientare liberamente la leva. Rilasciando la leva, la molla interna reinnesta la dentatura.

Maggiori informazioni

Note

Il mozzo filettato può essere sostituito.

Disegno



Caratteristiche

d ₁	d ₂	d ₃	Dimensioni						l ₂	t ≥	[g]	Cod.
			h ₁	h ₂	h ₃	h ₄	[mm]					
arancio												
13	M 3	10,0	24,5	4,0	3,5	30,5	30	7	26	24400.0032		
13	M 4	10,0	24,5	4,0	3,5	30,5	30	9	25	24400.0036		
14	M 5	10,0	24,5	4,0	3,0	35,0	45	8	33	24400.0111		
14	M 6	10,0	24,5	4,0	3,0	35,0	45	8	33	24400.0121		
18	M 6	13,5	31,0	6,5	3,0	45,0	62	10	67	24400.0311		
18	M 8	13,5	31,0	6,5	3,0	45,0	62	10	67	24400.0321		
22	M 8	16,0	36,0	8,0	3,5	52,0	74	14	112	24400.0411		
22	M10	16,0	36,0	8,0	3,5	52,0	74	14	109	24400.0421		
25	M10	19,0	43,0	11,0	4,0	63,0	89	17	176	24400.0511		
25	M12	19,0	43,0	11,0	4,0	63,0	89	17	171	24400.0521		
30	M12	23,0	50,5	12,0	5,0	76,0	108	22	286	24400.0611		
30	M16	23,0	50,5	12,0	5,0	76,0	108	22	269	24400.0621		
argento												
14	M 5	10,0	24,5	4,0	3,0	35,0	45	8	33	24400.0113		
14	M 6	10,0	24,5	4,0	3,0	35,0	45	8	33	24400.0123		
18	M 6	13,5	31,0	6,5	3,0	45,0	62	10	67	24400.0313		
18	M 8	13,5	31,0	6,5	3,0	45,0	62	10	67	24400.0323		
22	M 8	16,0	36,0	8,0	3,5	52,0	74	14	112	24400.0413		
22	M10	16,0	36,0	8,0	3,5	52,0	74	14	109	24400.0423		

d ₁	d ₂	d ₃	Dimensioni						l ₂	t ≥	[g]	Cod.
			h ₁	h ₂	h ₃	h ₄	[mm]					
25	M10	19,0	43,0	11,0	4,0	63,0	89	17	176	24400.0513		
25	M12	19,0	43,0	11,0	4,0	63,0	89	17	171	24400.0523		
30	M12	23,0	50,5	12,0	5,0	76,0	108	22	286	24400.0613		
30	M16	23,0	50,5	12,0	5,0	76,0	108	22	269	24400.0623		
nero												
13	M 3	10,0	24,5	4,0	3,5	30,5	30	7	26	24400.0034		
13	M 4	10,0	24,5	4,0	3,5	30,5	30	9	25	24400.0038		
14	M 5	10,0	24,5	4,0	3,0	35,0	45	8	33	24400.0114		
14	M 6	10,0	24,5	4,0	3,0	35,0	45	8	33	24400.0124		
18	M 6	13,5	31,0	6,5	3,0	45,0	62	10	67	24400.0314		
18	M 8	13,5	31,0	6,5	3,0	45,0	62	10	67	24400.0324		
22	M 8	16,0	36,0	8,0	3,5	52,0	74	14	112	24400.0414		
22	M10	16,0	36,0	8,0	3,5	52,0	74	14	109	24400.0424		
25	M10	19,0	43,0	11,0	4,0	63,0	89	17	176	24400.0514		
25	M12	19,0	43,0	11,0	4,0	63,0	89	17	171	24400.0524		
30	M12	23,0	50,5	12,0	5,0	76,0	108	22	286	24400.0614		
30	M16	23,0	50,5	12,0	5,0	76,0	108	22	269	24400.0624		

Esempio di applicazione

