

Impugnature a ripresa con mozzo inox, foro filettato EH 24390.

Descrizione prodotto

Leva a ripresa con parti interne inox. Molteplici campi di applicazione come, per es., nell'industria farmaceutica, chimica e alimentare.



Materiale

Leva

- Zinco pressofuso, plastificato, arancio, simile a RAL 2004, finitura opaca
- Zinco pressofuso, plastificato nero opaco, simile a RAL 9005

Perno filettato

- Acciaio inox 1.4305

Mozzo

- Acciaio inox 1.4305

Funzionamento

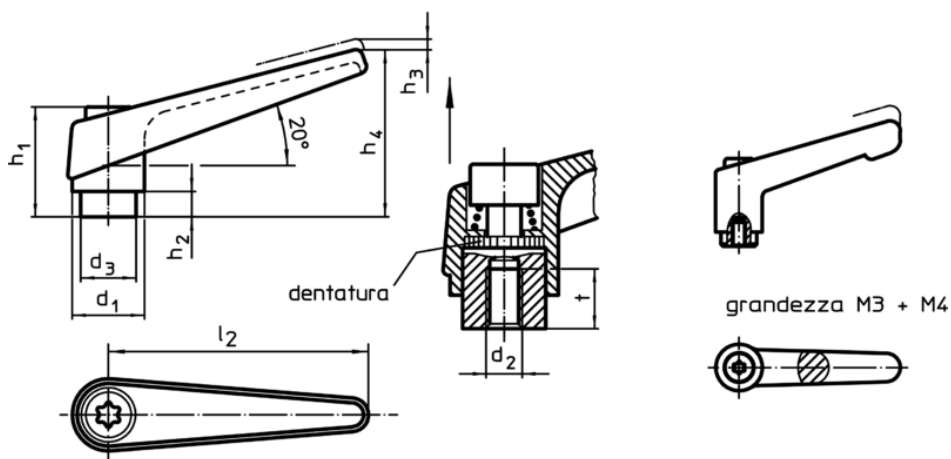
Tirando la leva si disinnesta la dentatura, permettendo di orientare liberamente la leva. Rilasciando la leva, la molla interna reinnesta la dentatura.

Maggiori informazioni

Note

Il mozzo filettato può essere sostituito.

Disegno



Caratteristiche

d ₁	d ₂	d ₃	Dimensioni						l ₂	t ≥	[g]	Cod.
			h ₁	h ₂	h ₃	h ₄	[mm]					
arancio												
13	M 3	10,0	24,5	4,0	3,5	30,5	30	7	26	24390.0032		
13	M 4	10,0	24,5	4,0	3,5	30,5	30	9	25	24390.0036		
14	M 5	10,0	24,5	4,0	3,0	35,0	45	8	33	24390.0111		
14	M 6	10,0	24,5	4,0	3,0	35,0	45	8	33	24390.0121		
18	M 8	13,5	31,0	6,5	3,0	45,0	62	10	67	24390.0321		
22	M 8	16,0	36,0	8,0	3,5	52,0	74	14	112	24390.0411		
22	M10	16,0	36,0	8,0	3,5	52,0	74	14	109	24390.0421		
25	M10	19,0	43,0	11,0	4,0	63,0	89	17	175	24390.0511		
25	M12	19,0	43,0	11,0	4,0	63,0	89	17	171	24390.0521		
30	M12	23,0	50,5	12,0	5,0	76,0	108	22	286	24390.0611		
30	M16	23,0	50,5	12,0	5,0	76,0	108	22	269	24390.0621		
nero												
13	M 3	10,0	24,5	4,0	3,5	30,5	30	7	26	24390.0034		
13	M 4	10,0	24,5	4,0	3,5	30,5	30	9	25	24390.0038		
14	M 5	10,0	24,5	4,0	3,0	35,0	45	8	33	24390.0114		
14	M 6	10,0	24,5	4,0	3,0	35,0	45	8	33	24390.0124		
18	M 8	13,5	31,0	6,5	3,0	45,0	62	10	67	24390.0324		
22	M 8	16,0	36,0	8,0	3,5	52,0	74	14	112	24390.0414		
22	M10	16,0	36,0	8,0	3,5	52,0	74	14	109	24390.0424		

d ₁	d ₂	d ₃	h ₁	Dimensioni					t ≥	[g]	Cod.
				h ₂	h ₃	h ₄	l ₂	[mm]			
25	M10	19,0	43,0	11,0	4,0	63,0	89	17	175	24390.0514	
25	M12	19,0	43,0	11,0	4,0	63,0	89	17	171	24390.0524	
30	M12	23,0	50,5	12,0	5,0	76,0	108	22	286	24390.0614	
30	M16	23,0	50,5	12,0	5,0	76,0	108	22	269	24390.0624	

Esempio di applicazione

