

Staffe con ganascia morbida intercambiabile EH 23190.

Descrizione prodotto

Per il serraggio di componenti sensibili
La ganascia morbida in ottone o plastica protegge dai danni il pezzo da lavorare.



Materiale

Ganascia morbida

- Ottone
- Plastica

Staffa

- Acciaio da bonifica, brunito

Assemblaggio

Le ganasce morbide sono montabili e smontabili per mezzo di due viti, in dotazione.

Disegno

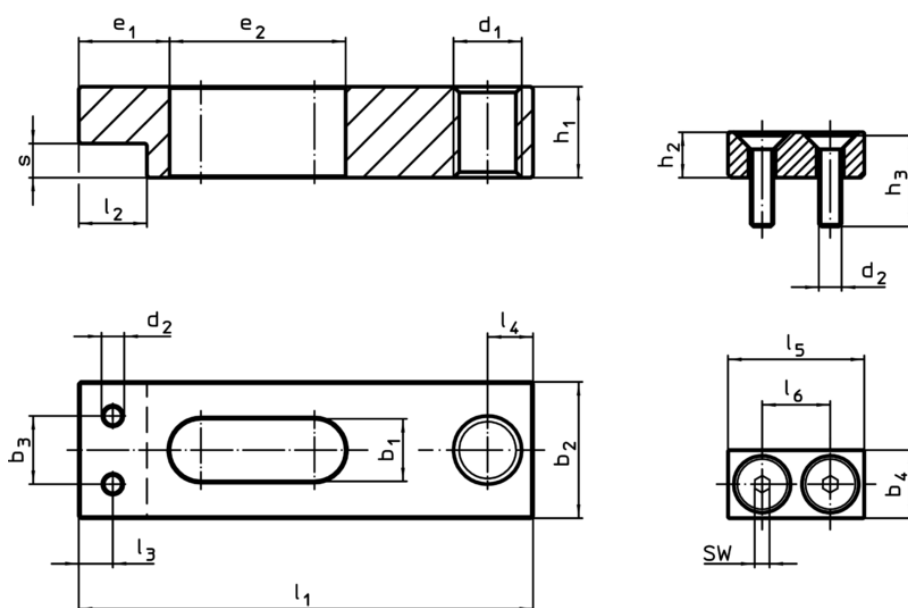




fig. 1

fig. 2

Caratteristiche

Dimensione nominale b ₁ +0,5 [mm]	Dimensioni																SW [mm]	Temperatura		Peso [g]	Cod.	
	l ₁	b ₂	b ₃	b ₄	d ₁	d ₂	e ₁	e ₂	h ₁	h ₂	h ₃	l ₂	l ₃	l ₄	l ₅	l ₆		s	min.			max.
Morsa semplice senza ganascia morbida – Fig. 1																						
5,5	40	12	6	–	M 6	M2	8	15,5	8	–	–	6	3,0	4	–	–	3	–	–	–	25,0	23190.0050
7,0	50	16	9	–	M 6	M2,5	10	22,0	10	–	–	8	4,0	5	–	–	4	–	–	–	45,0	23190.0051
9,0	63	20	11	–	M 8	M3	12	29,0	12	–	–	10	5,0	6	–	–	4	–	–	–	85,0	23190.0052
11,0	80	25	14	–	M10	M4	15	36,0	16	–	–	13	6,5	8	–	–	6	–	–	–	180,0	23190.0053
14,0	100	32	16	–	M12	M5	18	44,0	20	–	–	16	8,0	10	–	–	8	–	–	–	363,0	23190.0054
18,0	160	50	30	–	M16	M8	30	63,0	30	–	–	28	14,0	16	–	–	12	–	–	–	1445,0	23190.0055
Ganascia morbida in ottone – Fig. 2																						
5,5	–	–	–	6	–	M2	–	–	–	4	8	–	–	–	12	6	–	1,3	–	250	2,5	23190.0060
7,0	–	–	–	8	–	M2,5	–	–	–	6	10	–	–	–	16	9	–	1,5	–	250	7,0	23190.0061
9,0	–	–	–	10	–	M3	–	–	–	6	12	–	–	–	20	11	–	2,0	–	250	11,0	23190.0062
11,0	–	–	–	13	–	M4	–	–	–	9	16	–	–	–	25	14	–	2,5	–	250	25,0	23190.0063
14,0	–	–	–	16	–	M5	–	–	–	12	20	–	–	–	32	16	–	3,0	–	250	53,0	23190.0064
18,0	–	–	–	28	–	M8	–	–	–	16	30	–	–	–	50	30	–	5,0	–	250	193,0	23190.0065

Dimensione nominale ^a b ₁ +0,5 [mm]	Dimensioni																	SW [mm]	 min. max.		 [g]	Cod.		
	l ₁	b ₂	b ₃	b ₄	d ₁	d ₂	e ₁	e ₂	h ₁	h ₂	h ₃	l ₂	l ₃	l ₄	l ₅	l ₆	s							
	[mm]																							
Ganascia morbida in plastica – Fig. 2																								
5,5	-	-	-	6	-	M2	-	-	-	4	8	-	-	-	12	6	-	1,3	0	50	0,7	23190.0070		
7,0	-	-	-	8	-	M2,5	-	-	-	6	10	-	-	-	16	9	-	1,5	0	50	1,6	23190.0071		
9,0	-	-	-	10	-	M3	-	-	-	6	12	-	-	-	20	11	-	2,0	0	50	2,7	23190.0072		
11,0	-	-	-	13	-	M4	-	-	-	9	16	-	-	-	25	14	-	2,5	0	50	6,0	23190.0073		
14,0	-	-	-	16	-	M5	-	-	-	12	20	-	-	-	32	16	-	3,0	0	50	13,0	23190.0074		
18,0	-	-	-	28	-	M8	-	-	-	16	30	-	-	-	50	30	-	5,0	0	50	48,0	23190.0075		

Esempio di applicazione

