

Staffe- DIN 6315 B a forcella  
EH 23150.

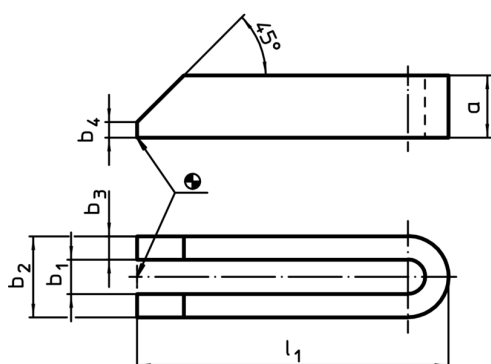
Descrizione prodotto



Materiale

- Acciaio da bonifica, laccato

Disegno



Caratteristiche

Dimensione nominale b <sub>1</sub> [mm]	Dimensioni					Per viti		Cod.	
	l <sub>1</sub>	a	b <sub>2</sub> [mm]	b <sub>3</sub>	b <sub>4</sub>	[mm]	[Pollici]		
6,6	60	12	19	6	3	M 6	1/4	65	<a href="#">23150.0007</a>
9,0	80	15	25	8	4	M 8	5/16	141	<a href="#">23150.0009</a>
11,0	100	20	31	10	5	M10	3/8	299	<a href="#">23150.0011</a>
14,0	125	25	38	12	6	M12, M14	1/2	578	<a href="#">23150.0014</a>
14,0	160	25	38	12	6	M12, M14	1/2	715	<a href="#">23150.0015</a>
14,0	200	25	38	12	6	M12, M14	1/2	905	<a href="#">23150.0016</a>
18,0	160	30	48	15	8	M16, M18	5/8	1077	<a href="#">23150.0018</a>
18,0	200	30	48	15	8	M16, M18	5/8	1346	<a href="#">23150.0019</a>
18,0	250	40	48	15	10	M16, M18	5/8	2300	<a href="#">23150.0020</a>
22,0	200	40	52	15	10	M20, M22	3/4	1809	<a href="#">23150.0022</a>
22,0	250	40	62	20	10	M20, M22	3/4	3021	<a href="#">23150.0023</a>
22,0	315	40	62	20	10	M20, M22	3/4	3800	<a href="#">23150.0024</a>
26,0	200	40	66	20	10	M24	1	2377	<a href="#">23150.0026</a>
26,0	250	40	66	20	10	M24	1	3031	<a href="#">23150.0027</a>
26,0	315	40	66	20	10	M24	1	3802	<a href="#">23150.0028</a>
26,0	500	50	66	20	10	M24	1	8937	<a href="#">23150.0030</a>
33,0	250	50	74	20	12	M30	1 1/4	3720	<a href="#">23150.0034</a>
33,0	315	50	74	20	12	M30	1 1/4	4743	<a href="#">23150.0035</a>
33,0	400	50	74	20	12	M30	1 1/4	6080	<a href="#">23150.0036</a>
40,0	400	60	100	30	12	M36	1 1/2	10920	<a href="#">23150.0040<sup>1)</sup></a>
40,0	600	60	100	30	12	M36	1 1/2	16500	<a href="#">23150.0041<sup>1)</sup></a>

<sup>1)</sup> Dimensioni non previste dalla norma DIN.