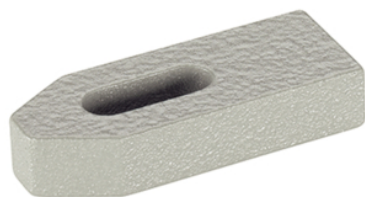


Staffe• DIN 6314 lisce  
EH 23140.

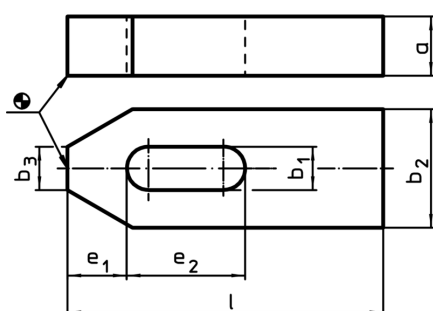
Descrizione prodotto




Materiale

- Acciaio da bonifica, laccato

Disegno



Caratteristiche

Dimensione nominale b <sub>1</sub> [mm]	l	a	Dimensioni [mm]				Per viti		 [g]	Cod.
			b <sub>2</sub>	b <sub>3</sub>	e <sub>1</sub>	e <sub>2</sub>	[mm]	[Pollici]		
6,6	50	10	20	8	10	20	M 6	1/4	61	<a href="#">23140.0007</a>
9,0	60	12	25	10	13	22	M 8	5/16	112	<a href="#">23140.0009</a>
11,0	80	15	30	12	15	30	M10	3/8	228	<a href="#">23140.0011</a>
14,0	100	20	40	14	21	40	M12, M14	1/2	492	<a href="#">23140.0014</a>
14,0	125	20	40	14	21	50	M12, M14	1/2	623	<a href="#">23140.0015</a>
18,0	125	25	50	18	26	45	M16, M18	5/8	980	<a href="#">23140.0018</a>
18,0	160	25	50	18	26	65	M16, M18	5/8	1246	<a href="#">23140.0019</a>
22,0	160	30	60	22	30	60	M20, M22	3/4	1793	<a href="#">23140.0022</a>
22,0	200	30	60	22	30	80	M20, M22	3/4	2244	<a href="#">23140.0023</a>
26,0	200	30	70	26	35	80	M24	1	2617	<a href="#">23140.0026</a>
26,0	250	30	70	26	35	105	M24	1	3823	<a href="#">23140.0027</a>
33,0	250	40	80	34	45	100	M30	1 1/4	4980	<a href="#">23140.0034</a>
33,0	315	50	80	34	45	130	M30	1 1/4	7840	<a href="#">23140.0035</a>

Esempio di applicazione

