

Piatelli livellanti con copertura in gomma antiscivolo

EH 22590.



Descrizione prodotto

I piatelli livellanti sono utilizzabili come piedi di appoggio o come piatelli di spinta. Angolo di compensazione per superfici non parallele fino a 15°. La copertura di plastica sul piattello impedisce lo scivolamento

Materiale

Snodo sferico

- Acciaio automatico temperato a induzione
- Acciaio inox 1.4305

Snodo sferico con perno

- Acciaio da bonifica, brunito
- Acciaio inox 1.4305

Tappo di gomma

- Gomma, nera

Piatto

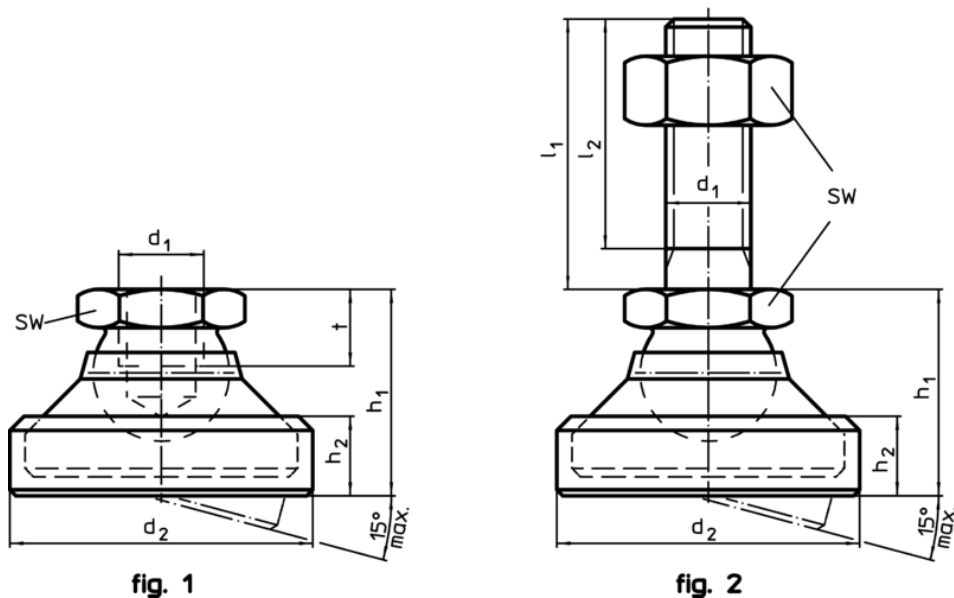
- Acciaio bonificato, brunito
- Acciaio inox 1.4305
- Termoplastica POM, bianca

Maggiori informazioni


Note


Per le versioni $d_1 = M10$ e $M12$ il controdado è conforme alla DIN 934.

Disegno



Caratteristiche

d_1	l_1	d_2	Dimensioni				SW	Carico solo statico max.		Cod.
			l_2	h_1	h_2	t				
[mm]							[mm]	[kN]	[g]	
Piatto e snodo sferico in acciaio – Fig. 1, Acciaio bonificato										
M 6	–	22,5	–	16,5	6,4	5,0	10	10	16	22590.1006
M 8	–	28,0	–	20,6	8,3	7,0	13	18	36	22590.1008
M10	–	36,0	–	26,0	11,0	9,0	17	20	72	22590.1010
M12	–	45,0	–	30,5	13,2	11,0	19	35	123	22590.1012
M16	–	56,0	–	37,5	15,5	13,5	24	45	241	22590.1016
M20	–	67,0	–	49,5	19,5	17,0	30	55	453	22590.1020
M24	–	69,0	–	55,0	24,0	19,0	36	65	518	22590.1024
Piatto e snodo sferico in acciaio – Fig. 1, Acciaio inox										
M 6	–	22,5	–	16,5	6,4	5,0	10	8	16	22590.1206
M 8	–	28,0	–	20,6	8,3	7,0	13	14	36	22590.1208
M10	–	36,0	–	26,0	11,0	9,0	17	16	72	22590.1210

d ₁	l ₁	d ₂	Dimensioni				t	SW	Carico solo statico max.		Cod.
			l ₂	h ₁	h ₂	[mm]					
M12	–	45,0	–	30,5	13,2	11,0	19	28	123	22590.1212	
M16	–	56,0	–	37,5	15,5	13,5	24	36	241	22590.1216	
M20	–	67,0	–	49,5	19,5	17,0	30	44	453	22590.1220	
M24	–	69,0	–	55,0	24,0	19,0	36	52	517	22590.1224	
Piatto in plastica snodo sferico in inox – Fig. 1, Termoplastica											
M 6	–	22,5	–	16,5	6,4	5,0	10	4	7	22590.1106	
M 8	–	28,0	–	20,6	8,3	7,0	13	7	16	22590.1108	
M10	–	36,0	–	26,0	11,0	9,0	17	10	32	22590.1110	
M12	–	45,0	–	30,5	13,2	11,0	19	18	51	22590.1112	
M16	–	56,0	–	37,5	15,5	13,5	24	20	96	22590.1116	
M20	–	67,0	–	49,5	19,5	17,0	30	22	190	22590.1120	
M24	–	69,0	–	55,0	24,0	19,0	36	25	240	22590.1124	
Piatto e snodo sferico con perno in acciaio – Fig. 2, Acciaio bonificato											
M 6	60	22,5	57,0	16,5	6,4	–	10	10	30	22590.1410	
M 8	80	28,0	76,0	20,6	8,3	–	13	18	69	22590.1422	
M10	100	36,0	95,5	26,0	11,0	–	17	20	139	22590.1438	
M10	150	36,0	145,5	26,0	11,0	–	17	20	165	22590.1442	
M12	100	45,0	94,5	30,5	13,2	–	19	35	222	22590.1452	
M12	150	45,0	144,5	30,5	13,2	–	19	35	258	22590.1456	
M16	100	56,0	94,0	37,5	15,5	–	24	45	428	22590.1468	
M16	200	56,0	194,0	37,5	15,5	–	24	45	561	22590.1472	
M20	100	67,0	92,5	49,5	19,5	–	30	55	762	22590.1482	
M20	200	67,0	192,5	49,5	19,5	–	30	55	964	22590.1488	
M24	100	69,0	91,0	55,0	24,0	–	36	65	990	22590.1495	
M24	200	69,0	191,0	55,0	24,0	–	36	65	1287	22590.1498	
Piatto e snodo sferico con perno in acciaio – Fig. 2, Acciaio inox											
M 6	60	22,5	57,0	16,5	6,4	–	10	8	30	22590.1610	
M 8	80	28,0	76,0	20,6	8,3	–	13	14	69	22590.1622	
M10	100	36,0	95,5	26,0	11,0	–	17	16	139	22590.1638	
M10	150	36,0	145,5	26,0	11,0	–	17	16	165	22590.1642	
M12	100	45,0	94,5	30,5	13,2	–	19	28	222	22590.1652	
M12	150	45,0	144,5	30,5	13,2	–	19	28	258	22590.1656	
M16	100	56,0	94,0	37,5	15,5	–	24	36	428	22590.1668	
M16	200	56,0	194,0	37,5	15,5	–	24	36	561	22590.1672	
M20	100	67,0	92,5	49,5	19,5	–	30	44	762	22590.1682	
M20	200	67,0	192,5	49,5	19,5	–	30	44	964	22590.1688	
M24	100	69,0	91,0	55,0	24,0	–	36	52	991	22590.1695	
M24	200	69,0	191,0	55,0	24,0	–	36	52	1287	22590.1698	
Piatto in plastica snodo sferico con perno in inox – Fig. 2, Termoplastica											
M 6	60	22,5	57,0	16,5	6,4	–	10	4	21	22590.1510	
M 8	80	28,0	76,0	20,6	8,3	–	13	7	49	22590.1522	
M10	100	36,0	95,5	26,0	11,0	–	17	10	98	22590.1538	
M10	150	36,0	145,5	26,0	11,0	–	17	10	124	22590.1542	
M12	100	45,0	94,5	30,5	13,2	–	19	18	150	22590.1552	
M12	150	45,0	144,5	30,5	13,2	–	19	18	184	22590.1556	
M16	100	56,0	94,0	37,5	15,5	–	24	20	285	22590.1568	
M16	200	56,0	194,0	37,5	15,5	–	24	20	414	22590.1572	
M20	100	67,0	92,5	49,5	19,5	–	30	22	503	22590.1582	
M20	200	67,0	192,5	49,5	19,5	–	30	22	704	22590.1588	
M24	100	69,0	91,0	55,0	24,0	–	36	25	718	22590.1595	
M24	200	69,0	191,0	55,0	24,0	–	36	25	1016	22590.1598	